

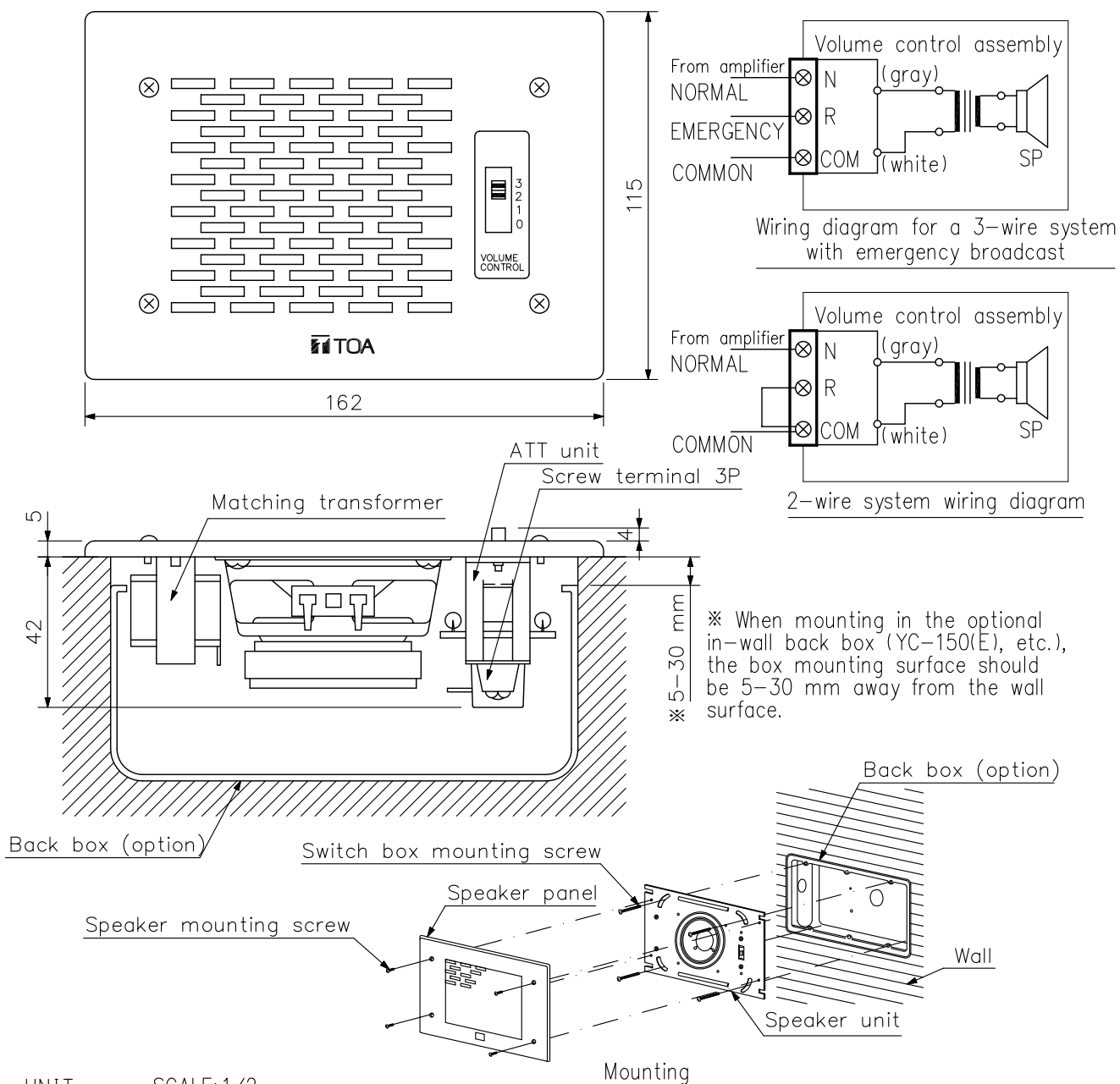
DESCRIPTION

The PC-391T is a small flush-mount wall speaker. Its ideal applications include hotel and hospital rooms, and reception counters in the banks and clinics.

SPECIFICATIONS

Rated Input	3 W
Rated Impedance	3.3 kΩ
Sound Pressure Level	90.7 dB (3 W, 1 m)
Frequency Response	150 Hz - 18 kHz
Speaker Component	7.7 cm cone-type speaker
Attenuation	0 (OFF), 1 (-12 dB), 2 (-6 dB), 3 (0 dB)
Finish	Baffle: Stainless steel Grille: Aluminum, silver
Dimensions	162 (W) × 115 (H) × 47 (D) mm (excluding the projection parts such as a switch knob)
Weight	600 g
Accessory	Switch box mounting screw ⌀4, Speaker mounting screw ⌀4, Wood screw ⌀4

APPEARANCE



UNIT:mm SCALE:1/2

Mounting